



Image may differ from product. See technical specification for details.

## 99294

### SKF Speedi-Sleeve

SKF Speedi-Sleeve provides an alternative to costly repairs for worn or damaged shafts. This thin-walled sleeve, specially developed by SKF, is simply positioned over the relevant part of the shaft and provides a smooth counterface that is optimized for radial shaft seals. Use of SKF Speedi-Sleeve can prevent the need for costly shaft treatments that may involve machining, hardening, plunge grinding or disassembly. SKF Speedi-Sleeve Gold is an enhanced version of standard SKF Speedi-Sleeve, offering improved resistance to abrasive wear.

- Optimized countersurface
- Cost effective
- Well-proven solution

## Overview

### Dimensions

Width	26.01 mm
Shaft diameter, minimum	74.93 mm
Shaft diameter, maximum	75.08 mm
Shaft diameter	75.01 mm
Removable flange outside diameter	83.95 mm
Seal seat width	22 mm

### Properties

Type	Standard
Design	SSLV

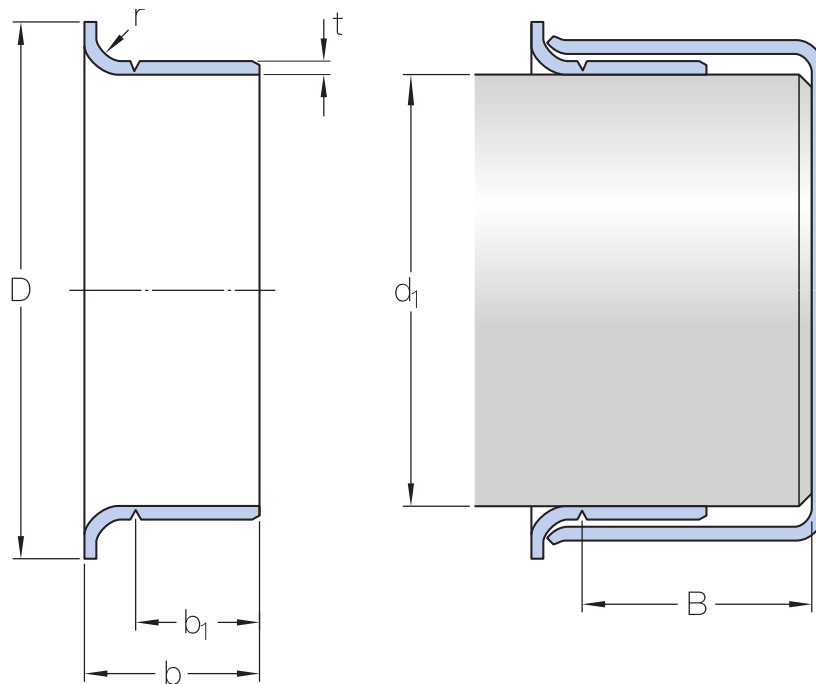
### Logistics

Product net weight	0.093 kg
eClass code	23-05-92-90
UNSPSC code	31171605

## Technical specification

Type

Standard



## Dimensions

### SHAFT DIAMETER RANGE

$d_1$	min. 74.93 mm	Shaft diameter range
$d_1$	max. 75.08 mm	Shaft diameter range

### NOMINAL DIMENSIONS

$d_1$	75.01 mm	Nominal bore diameter
$D$	83.95 mm	Nominal outside diameter
	$\pm 1.57$ mm	Tolerance outside diameter $D$
$b$	26.01 mm	Nominal width
	$\pm 0.8$ mm	Tolerance width $b$
$b_1$	22 mm	Nominal width of plain sleeve (up to flange groove)
	$\pm 0.8$ mm	Tolerance width $b_1$
$B$	max. 33.35 mm	Installation distance
$r$	max. 3.18 mm	Bushing radius (chamfer) between bore and side face
$t$	0.25 mm	Nominal thickness





# Terms of use