

# KL1002 | Bus Terminal, 2-channel digital input, 24 V DC, 3 ms

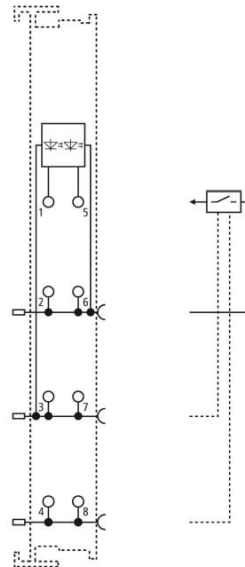
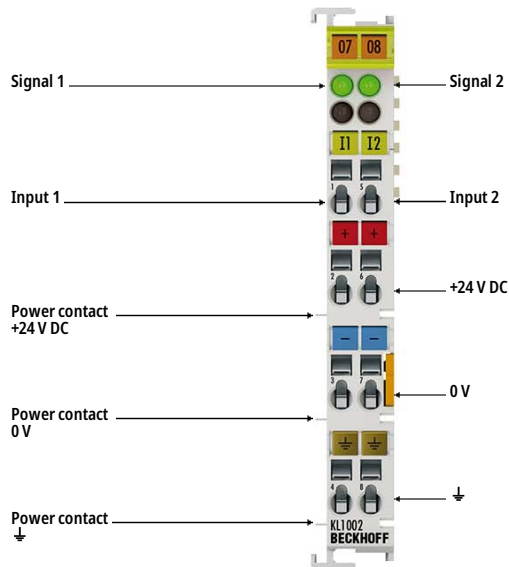
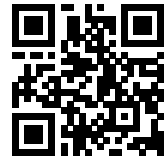


Image similar, may contain optional accessories

**i** **Product status:** regular delivery

The KL1002 digital input terminal acquires the binary 24 V DC control signals from the process level and transmits them, in an electrically isolated form, to the higher-level automation unit. The Bus Terminal contains two channels that indicate their signal state by means of light emitting diodes.

Special features:

- input specification type 1/3
- no bouncing due to mechanical switches thanks to 3 ms input filter

## Product information

### Technical data

Technical data	KL1002
Connection technology	4-wire
Specification	EN 61131-2, type 1
Number of inputs	2
Nominal voltage	24 V DC (-15%/+20%)
"0" signal voltage	-3...+5 V

"1" signal voltage	15...30 V
Input filter	typ. 3 ms
Input current	typ. 5 mA
Current consumption K-bus	typ. 3 mA
Electrical isolation	500 V (K-bus/field potential)
Bit width in the process image	2 inputs
Configuration	no address or configuration setting
Weight	approx. 50 g
Storage temperature	-40...+85°C
Operating temperature	-25...+60°C
Relative humidity	95%, no condensation
Vibration/shock resistance	conforms to EN 60068-2-6/EN 60068-2-27
EMC immunity/emission	conforms to EN 61000-6-2/EN 61000-6-4
Protect. rating/installation pos.	IP20/variable
Plug-in wiring level	for all KSxxxx Bus Terminals
Approvals/markings	CE, CCC, UL, ATEX, IECEX, DNV
Ex marking	ATEX: II 3 G Ex ec IIC T4 Gc IECEX: Ex ec IIC T4 Gc

Housing data	KL-12-8pin	KS-12-8pin
Design form	compact terminal housing with signal LEDs	terminal housing with pluggable wiring level
Material	polycarbonate	
Installation	on 35 mm DIN rail, conforming to EN 60715 with lock	
Side by side mounting by means of	double slot and key connection	
Marking	labeling of the BZxxxx series	
Wiring	solid conductor (s), flexible conductor (st) and ferrule (f): spring actuation by screwdriver	
Connection cross-section	s*: 0.08...2.5 mm <sup>2</sup> , st*: 0.08...2.5 mm <sup>2</sup> , f*: 0.14...1.5 mm <sup>2</sup>	s*: 0.08...1.5 mm <sup>2</sup> , st*: 0.08...1.5 mm <sup>2</sup> , f*: 0.14...1.5 mm <sup>2</sup>
Connection cross-section AWG	s*: AWG28...14, st*: AWG28...14, f*: AWG26...16	s*: AWG28...16, st*: AWG28...16, f*: AWG26...16
Stripping length	8...9 mm	9...10 mm
Current load power contacts	I <sub>max</sub> : 10 A	
Dimensions (W x H x D)	12 mm x 100 mm x 68 mm	

\*s: solid wire; st: stranded wire; f: with ferrule

## Ordering information

Ordering information	
KL1002	Bus Terminal, 2-channel digital input, 24 V DC, 3 ms
KS1002	Bus Terminal, 2-channel digital input, 24 V DC, 3 ms, pluggable wiring level

---