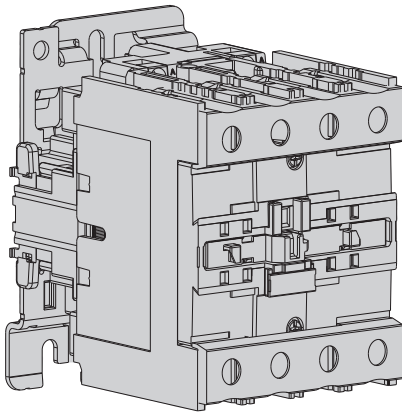
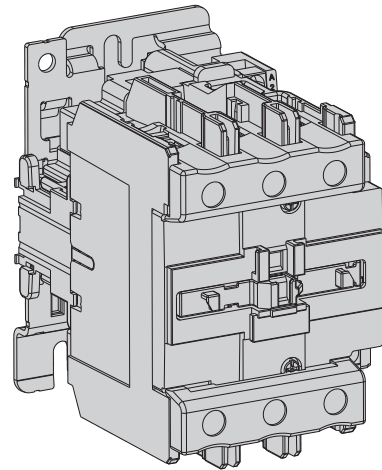


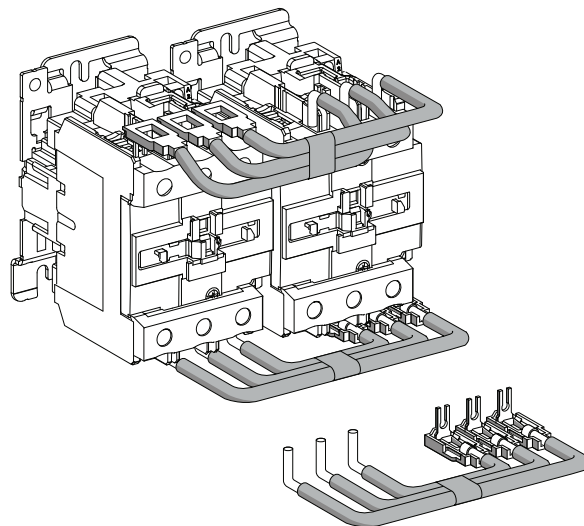
LC1N40/N50/N65/N80/N95 交流接触器



LC1N40
LC1N50
LC1N65



LC1N80
LC1N95



可逆接触器
组装示意图

Schneider Electric Industries SAS
35 rue Joseph Monier
92500 Rueil-Malmaison, France

Schneider
Electric

⚠ ⚠ DANGER / 危險**HAZARD OF ELECTRIC SHOCK, EXPLOSION, OR ARC FLASH.**

Disconnect all power before servicing equipment.

Failure to follow these instructions will result in death or serious injury.

电击、爆炸或电弧闪光的危险。

在此电力设备上工作时，请先切断所有电源。

不遵循上述说明将导致人员伤亡。

⚠ WARNING / 警告**HAZARD OF FIRE OR ELECTRIC SHOCK (FOR CONTACTOR WITH HI-FAULT SHORT CIRCUIT CURRENT RATINGS ONLY)**

● The opening of the branch-circuit protective device may be an indication that a fault current has been interrupted.

● To reduce the hazard of fire or electric shock, current-carrying parts and the other components of the controller should be examined and replaced if damaged.

Failure to follow these instructions can result in death, serious injury, or equipment damage.

可能有火灾或者触电的危险（仅限有高故障短路电流额定值的接触器）。

● 支路保护设备断开，表明故障电流已被中断。

● 为降低火灾或触电风险，应检查带电部件和其他控制元件，如有损坏，需及时更换。

不遵循上述说明可能导致人员伤亡或设备损坏。

PLEASE NOTE

● Electrical equipment should be installed, operated, serviced, and maintained only by qualified personnel.

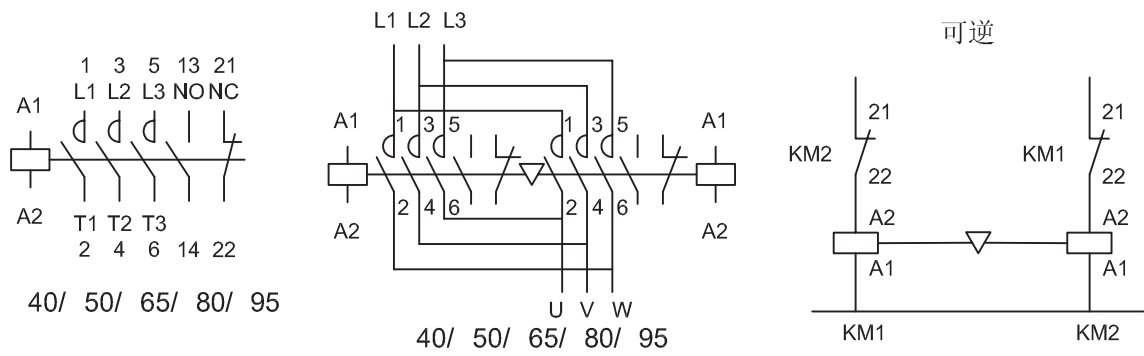
● No responsibility is assumed by Schneider Electric for any consequences arising out of the use of this material.

请注意

● 电气设备的安装、操作、维修和维护工作仅限于合格人员执行。

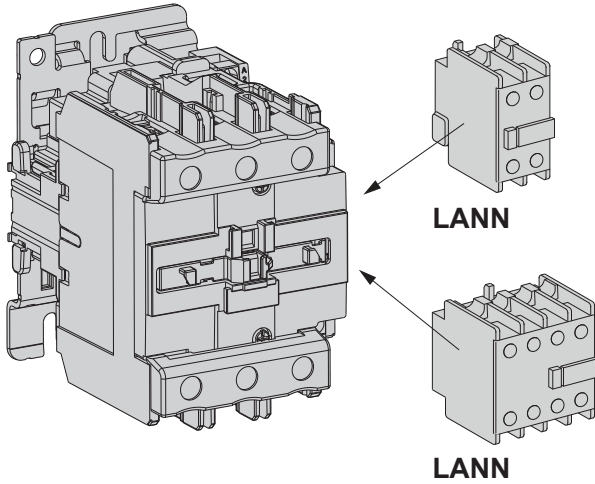
● Schneider Electric不承担由于使用本资料所引起的任何后果。

电路图



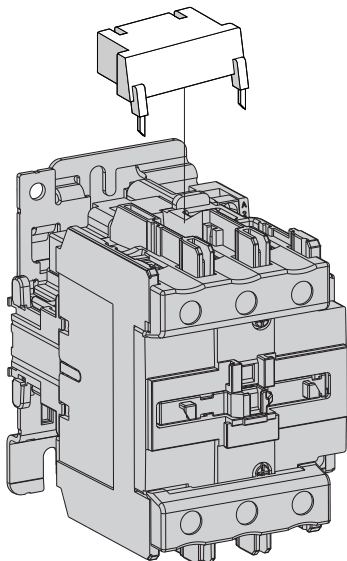
辅助触头模块

1.LANN- 瞬时辅助触点模块:



组成	型号
1 "F" + 1 "O"	LANN11N
2 "F"	LANN20N
2 "O"	LANN02N
2 "F" + 2 "O"	LANN22N
1 "F" + 3 "O"	LANN13N
4 "F"	LANN40N
4 "O"	LANN04N
3 "F" + 1 "O"	LANN31N

2.LA4-DA 浪涌抑制器模块:

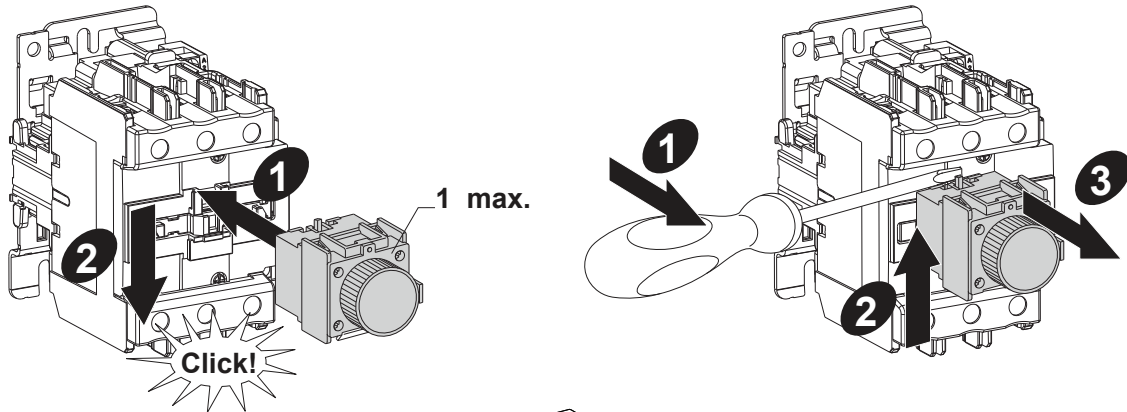


电压V~	型号
24...48	LA4DA2E
50...127	LA4DA2G
110...240	LA4DA2U
380...415	LA4DA2N

辅助触头组安装

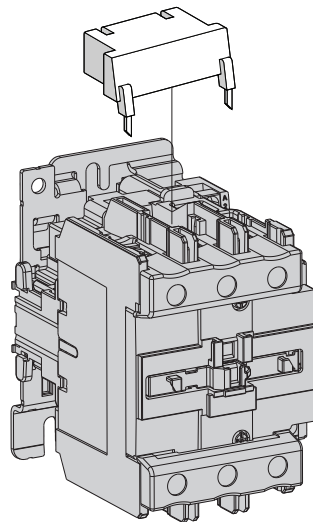
1.LANN-:

瞬时辅助触点模块

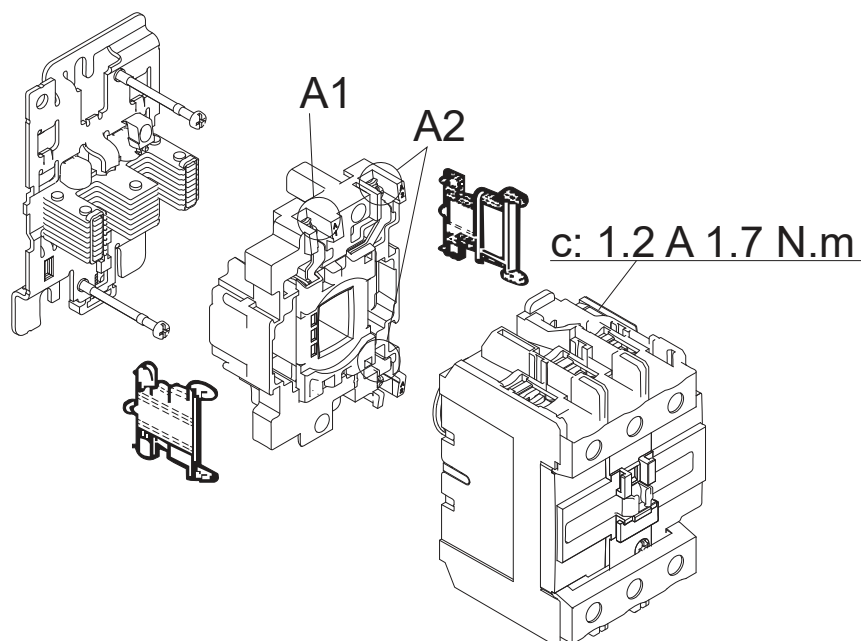


2.LA4-DA:

浪涌抑制器模块

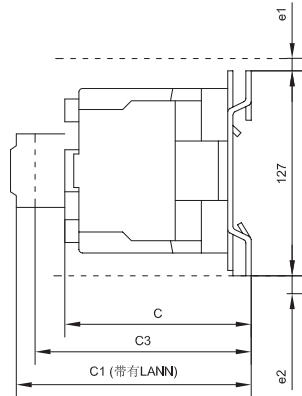


产品爆炸图



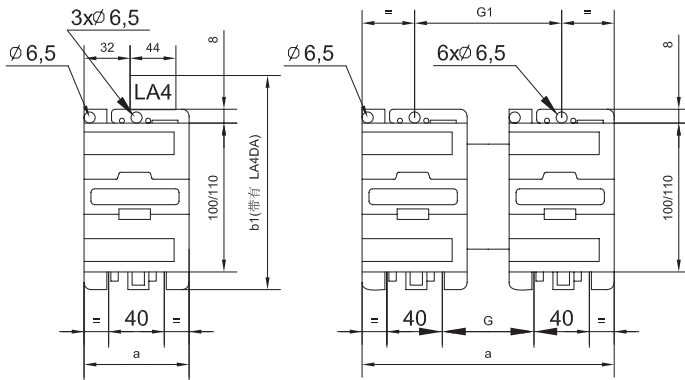
尺寸

(mm) 1 inch=25,4 mm



LC1N40/N50/N65
/N80/N95

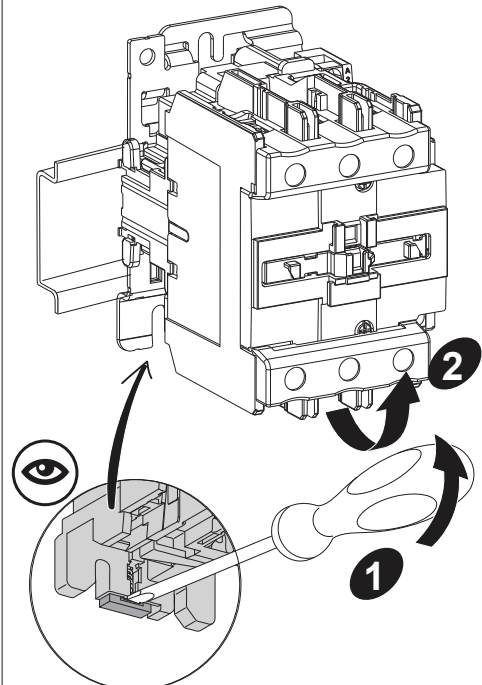
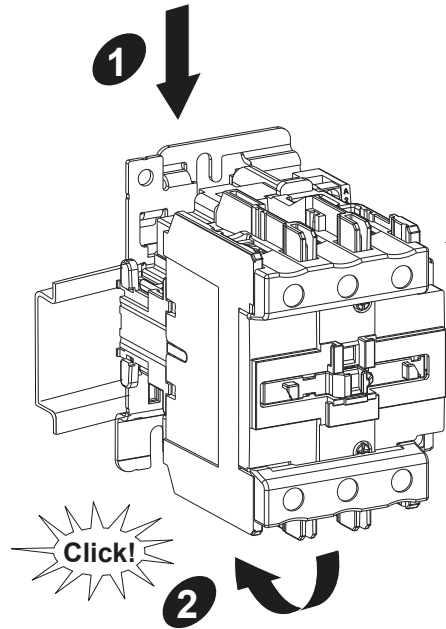
可逆-N40/N50/N65
/N80/N95



(mm) a	4P	3P
LC1N40/N50/N65...N	85	75
LC1N80/95...N	95	85
可逆-N80/95	/	182

(mm)	3P		
	C	C1	b1
LC.-N80/N95...N	124	153	135

可逆	e1	C3	e2	G	G1
		3P		3P	3P
可逆-N 80	13	158	20	58	96
可逆-N 95					



接线头最小.....最大

		N40 N50 N65	N80 N95	LAEX LANN									
		18	16	10									
LC1N 可逆		[mm ²]	[mm ²]	[mm ²]	[mm ²]	[mm ²]	[mm ²]	[mm]	L		PH/PZ	 N.m	
N40 N50 N65		1...2.5	1...2.5 + 1...2.5	1...4	1...4 + 1...4	1...4	1...4 + 1...4	8	-	7.5	∅6	2	1.2
		2.5 : 25	2.5...10 + 2.5...10	2.5 : 25	2.5...16 + 2.5...16	2.5 : 25	2.5...16 + 2.5...16	-	-	-	∅6 ∅8	-	5
N80 N95		1...2.5	1...2.5 + 1...2.5	1...4	1...4 + 1...4	1...4	1...4 + 1...4	8	-	7.5	∅6	2	1.2
		4 : 50	4...16 + 4...16	4 : 50	4...25 + 4...25	4 : 50	4...25 + 4...25	-	4	-	∅6 ∅8	-	12
LAEX LANN.		1...2.5	1...2.5 + 1...2.5	1...4	1...4 + 1...4	1...4	1...4 + 1...4	8		7,5	∅6	2	1.2
		AWG 16 = 1,31 mm ² AWG 14 = 2,08 mm ²		AWG 12 = 3,31 mm ² AWG 10 = 5,26 mm ²		AWG 8 = 8,37 mm ² AWG 6 = 13,3 mm ² AWG 4 = 21,15 mm ²		AWG 3 = 26,67 mm ² AWG 2 = 33,62 mm ² AWG 1 = 42,41 mm ²					