

# Product datasheet

Specifications



single phase power supply,  
100...240V input, 24V DC output,  
108W, 4,5A

ABL2REM24045K

## Main

Range of product	Easy Modicon ABL2
Product or component type	Power supply
Power supply type	Regulated switch mode
Rated power in W	108 W
Main Input Voltage	100...240 V AC single phase
Output voltage	24 V DC
Power supply output current	4.5 A
Operating position	Any position
Vibration resistance	4 gn (f= 10...500 Hz) conforming to IEC 61131-2
Name of test	Electromagnetic hypersensitivity (EHS) conforming to IEC 61000-6-2 level A

## Complementary

Input voltage limits	85...264 V
Network frequency	47...63 Hz
Inrush current	50 A at 100...240 V AC
Cos phi	0.45
Efficiency	89 %
Power dissipation in W	13.3 W
Current consumption	1.1 A at 240 V
Input protection type	Integrated fuse (not interchangeable)
Output voltage limits	20.4...27.6 V
Line and load regulation	+/- 1 %
Holding time	>= 10 ms at 115 V
Output protection type	Against overload, protection technology: 1.1...1.5 x In Against short-circuits, protection technology: 1.1...1.5 x In Against overvoltage, protection technology: 28.8...33.6 V
Connections - terminals	For ground connection: screw type terminals, connection capacity: 1 x 4 mm <sup>2</sup> AWG 12
Marking	CE
Electromagnetic compatibility	Immunity to electromagnetic interference conforming to EN 55022 class B
Mounting support	DIN rail with accessory DIN rail with accessory
Operating altitude	5000 m

<b>Output coupling</b>	Series
<b>Overvoltage category</b>	II
<b>Meantime between failure [MTBF]</b>	600000 h at 25 °C
<b>Status LED</b>	1 LED (green) output voltage
<b>Width</b>	129 mm
<b>Height</b>	97 mm
<b>Depth</b>	30 mm
<b>Net weight</b>	0.35 kg

## Environment

<b>Product certifications</b>	EAC IC RoHS KC RCM
<b>IP degree of protection</b>	IP20 conforming to IEC 62368-1
<b>Ambient air temperature for operation</b>	-30...70 °C (with power derating of 2.5 % per °C)
<b>Ambient air temperature for storage</b>	-40...85 °C
<b>Relative humidity</b>	10...95 %
<b>Overvoltage category</b>	Class I conforming to IEC 62368-1
<b>Pollution degree</b>	2
<b>Dielectric strength</b>	2000 V between input and ground

## Packing Units

<b>Unit Type of Package 1</b>	PCE
<b>Number of Units in Package 1</b>	1
<b>Package 1 Height</b>	3.800 cm
<b>Package 1 Width</b>	10.400 cm
<b>Package 1 Length</b>	14.300 cm
<b>Package 1 Weight</b>	348.000 g
<b>Unit Type of Package 2</b>	S03
<b>Number of Units in Package 2</b>	42
<b>Package 2 Height</b>	30.000 cm
<b>Package 2 Width</b>	30.000 cm
<b>Package 2 Length</b>	40.000 cm
<b>Package 2 Weight</b>	16.869 kg
<b>Unit Type of Package 3</b>	P06
<b>Number of Units in Package 3</b>	504
<b>Package 3 Height</b>	90.000 cm
<b>Package 3 Width</b>	60.000 cm
<b>Package 3 Length</b>	80.000 cm
<b>Package 3 Weight</b>	210.928 kg

# Contractual warranty

---

Warranty (in months)

18



## Environmental Data

Schneider Electric aims to achieve Net Zero status by 2050 through supply chain partnerships, lower impact materials, and circularity via our ongoing “Use Better, Use Longer, Use Again” campaign to extend product lifetimes and recyclability.

[Environmental Data explained >](#)

[How we assess product sustainability >](#)

### Use Better



#### Materials and Substances

Packaging made with recycled cardboard

Yes

Packaging without single use plastic

Yes

[EU RoHS Directive](#)

Pro-active compliance (Product out of EU RoHS legal scope)

REACH Regulation

[REACH Declaration](#)

### Use Longer



#### Lifetime extension

Repair

No

### Use Again



#### Repack and remanufacture

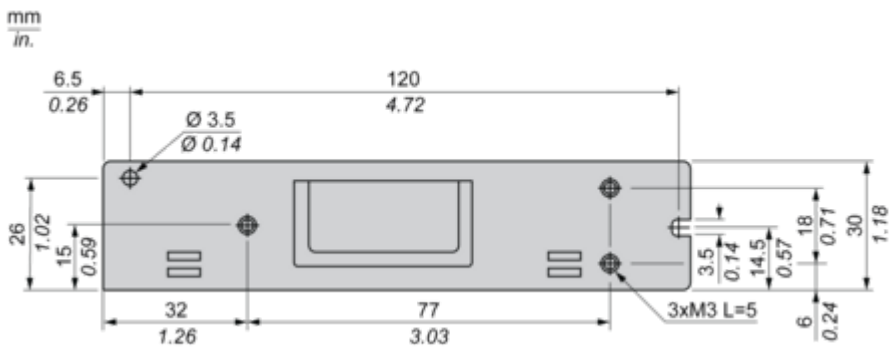
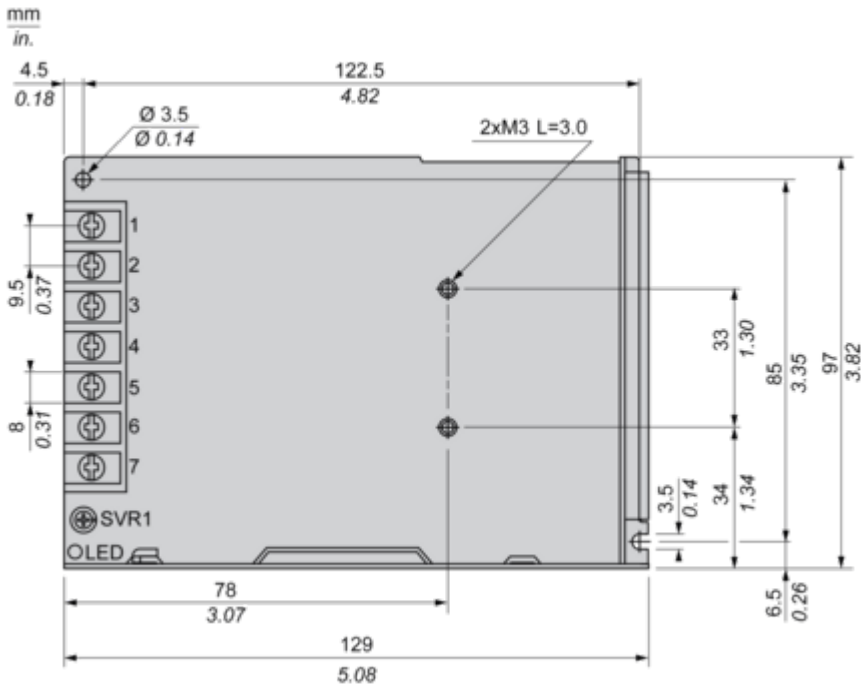
Take-back

No

Dimensions Drawings

Dimensions Drawings

Mechanical Dimensions

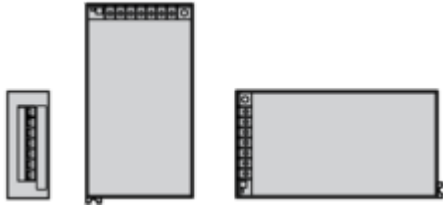


Mounting and Clearance

Mounting and Clearance

---

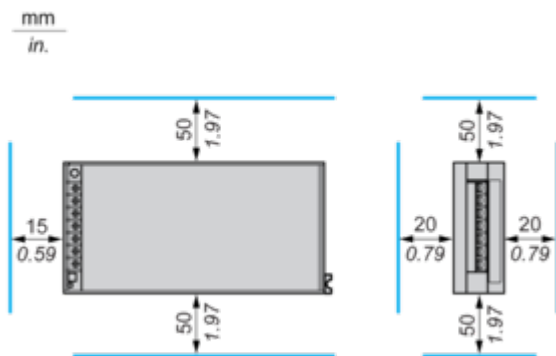
Vertical Mounting



Horizontal Mounting



Clearance

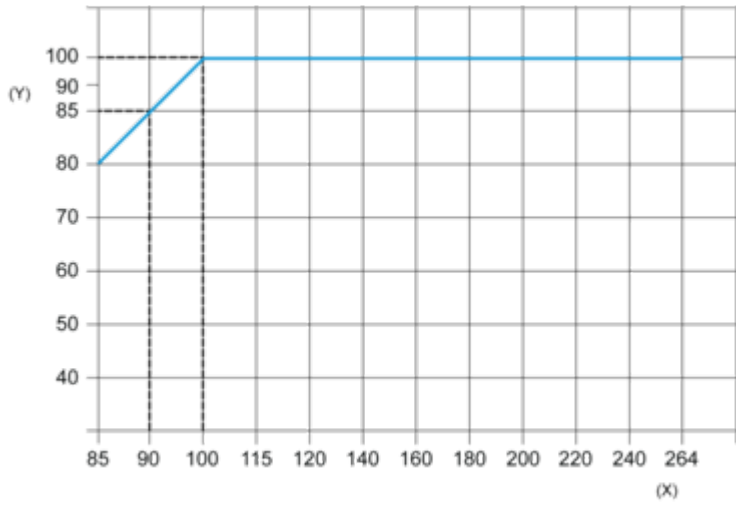


Performance Curves

Performance Curves

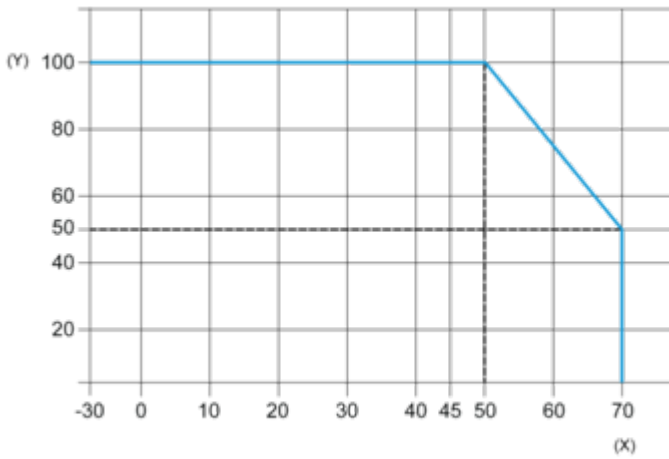
---

Static Characteristics



(y) Load %  
(x) Input voltage (VAC) 50/60 Hz

Derating Curve



(y) Load %  
(x) Ambient temperature (°C)