



PFXGP4402WADW

PFXGP4402WADW

Standard product information	category.replacementOption
Display specifications	Electrical specifications
Environmental specifications	Memory
Interface specifications	Structural specifications
Dimensions	

Standard product information	
Family	HMI
Series	GP4000E Series
Size	7" Wide
Model	PFXGP4402WADW
Global Code	PFXGP4402WADW
Field.endOfSales	2024/12/31
Field.endOfRepair	2026/12/31
Field.repairRemarks	-

category.replacementOption	
Field.replacementCode	PFXET6400WAD
Field.replacementComment	ET6000 Series DC power supply TFT color LCD Panel cut-out size same Blink function is not supported For more details, refer to the ""Replacement Guidebook"".



Display specifications

Display type	TFT Color LCD / Resistive Film (analog)
Display size	7" Wide
Resolution	800 x 480 pixels (WVGA)
Effective display area	W154.08 x H85.92 mm [W6.066 x H3.382 in.]
Display colors	65,536 colors
Backlight	LED
Backlight service life	20,000 hrs. or more (each in continuous operation at 25 °C [77 °F] before backlight brightness decreases to 50%)* ¹
Brightness control	8 Levels (Adjusted with touch panel)
Touch panel type	Resistive Film (analog)
Touch panel lifetime	1,000,000 times or more, Sweeping 100,000 times or more
Language fonts	ASCII: (code page 850) alphanumeric (including European characters) Chinese (simplified): GB2312-80 codes Japanese: ANK 158, Kanji: 6,962 (JIS standards 1 & 2) (including 607 nonkanji characters) Korean: (KSC5601 - 1992 codes) Hangul fonts Chinese (traditional): BIG 5 codes* ²
Character sizes	Standard font: 8 x 8, 8 x 16, 16 x 16 and 32 x 32 pixel fonts
Font sizes	Width can be expanded 1, 2, 4, and 8 times. Height can be expanded 1/2, 1, 2, 4, and 8 times.
8 x 8 dots	40 char. x 30 rows
8 x 16 dots	40 char. x 15 rows
16 x 16 dots	20 char. x 15 rows
32 x 32 dots	10 char. x 7 rows

*¹ To save the life of the backlight, set the panel in standby mode which automatically turns the backlight off when no touch input is detected within a set time.


*² The display font differs depending on which (language) character, or which size you select. Also, if GP-Pro EX software is used, additional high-quality fonts are available with 16 x 16 or larger characters.

Electrical specifications

Rated input voltage	24 Vdc
Allowable voltage drop	1 ms or less with lowest input voltage, 10 ms or less with rated input voltage
Power consumption	9.2 W or less
In-rush current	50 A or less ^{*1}
Voltage endurance	600 Vac, 20 mA for 1 minute
Insulation resistance	500 Vdc, 10 MΩ or more (between power terminal and FG terminals)

*1 For in-rush current, the FWHM (full-width, half maximum) value is approximately 50 μs (when exceeding 25 A).

Environmental specifications

International safety standards	
Surrounding air temperature	0 to 50 °C [32 to 122 °F]
Storage temperature	-20 to +60 °C [-4 to 140 °F]
Ambient humidity	85 % RH (Wet bulb temperature: 39 °C [102.2 °F] max. - no condensation)
Storage humidity	10% to 90% RH (Non condensing, wet bulb temperature 39 °C [102.2 °F] or less)
Dust	0.1 mg/m ³ (10 ⁻⁷ oz/ft ³) or less (non-conductive levels)
Pollution degree	For use in Pollution Degree 2 environment
Corrosive gases	Free of corrosive gases
Air pressure (altitude range)	800 to 1,114 hPa (2,000 m [6,561 ft.] above sea level or less)
Vibration resistance	IEC/EN60068-2-6, 5 to 150 Hz, 3.5 mm (0.38 in) max., 1gn pm 3 axes
Concussion resistance	IEC 60068-2-27, 1/2 sinusoidal pulse for 11 ms, 15g on 3 axes
Electrostatic discharge immunity	EN/IEC 61131-2, 4 kV direct contact, 8 kV air contact
Electromagnetic compatibility (EMC)	IEC 61000 - 4 - 5, 0.5 kV (Differential Mode on power supply), 1 kV (Common Mode on power supply)



Memory

Application memory	FLASH EPROM 32 MB ^{*1}
Backup memory	FLASH EPROM 128 KB
Clock accuracy	Variations in operating conditions and battery life can cause a clock inaccuracy from -380 to +90 seconds per month.

*1 Capacity available for user application. The capacity depends on how many fonts you load from Editor software.

Interface specifications

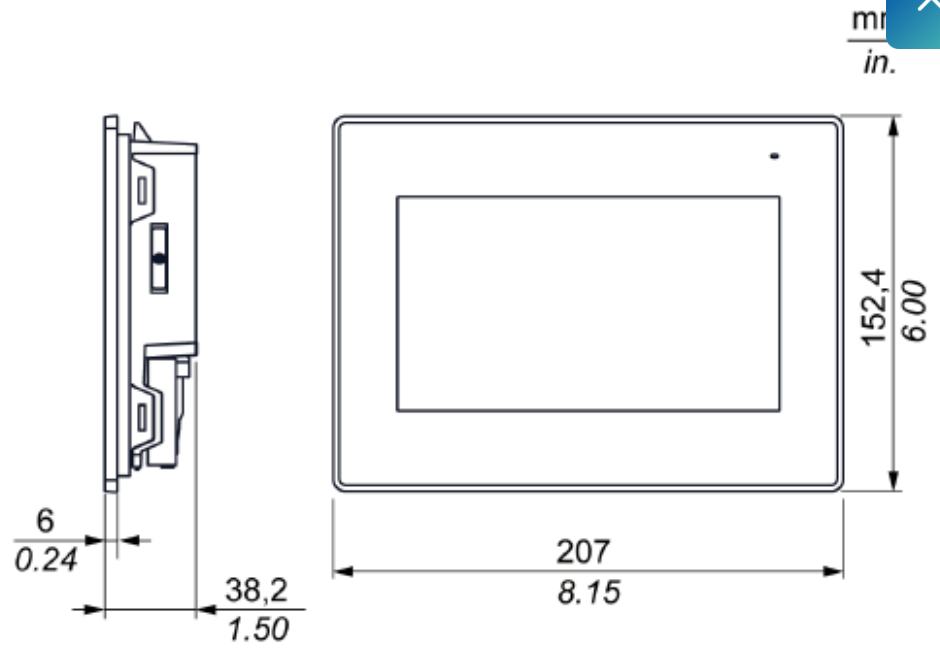
Serial (COM1)	Asynchronous Transmission: RS-232C, Data Length: 7 or 8 bits, Stop Bit: 1 or 2 bits, Parity: None, Even or Odd, Data Transmission Speed: 2,400 to 115,200 bps, Connector: D-Sub 9 (plug)
Serial (COM2)	Asynchronous Transmission: RS-422 / 485, Data Length: 7 or 8 bits, Stop Bit: 1 or 2 bits, Parity: None, Even or Odd, Data Transmission Speed: 2,400 to 187,500 bps, Connector: D-Sub 9 pin (plug)
USB (Type A)	Conforms to USB 2.0 (Type A) x 1 Communication distance: 3 m [9.84 ft.] or less
USB (mini-B)	Conforms to USB 2.0 (mini-B) x 1, Communication Distance: 3 m [9.84 ft.] or less
Ethernet	IEEE802.3i / IEEE802.3u, 10BASE-T / 100BASE-TX, Connector: Modular jack (RJ-45) x 1

Structural specifications

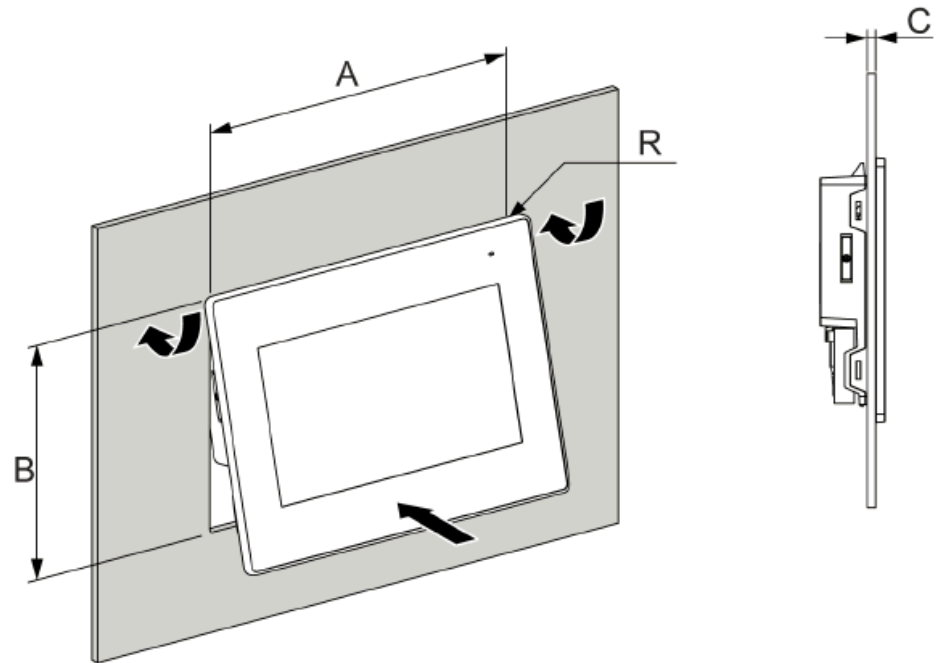
Cooling method	Natural air circulation
Structure	Front Panel: IP65 (IEC60529), Enclosure type 4 indoor use only (UL 50) with screw installation fasteners, Rear Panel: IP20 (IEC 60529)
External dimensions	W207 x H152.4 x D38.2 mm [W8.15 x H6 x D1.5 in.]

Dimensions

External dimensions

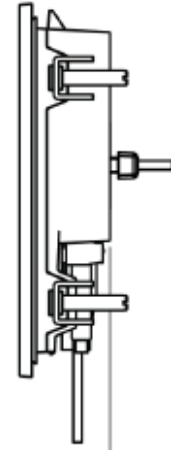
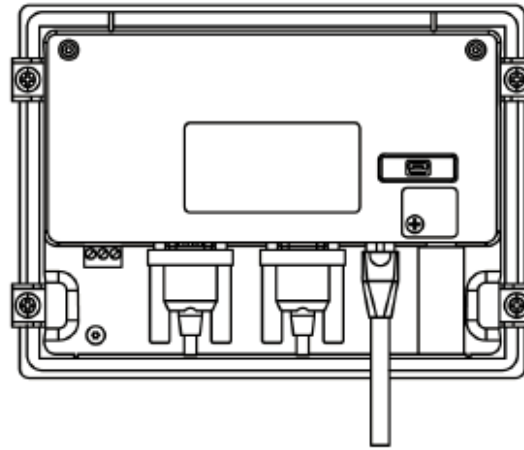


Panel cut-out dimensions



A	B	C (Panel thickness)	R
190 ± 1 mm [7.48 ± 0.04 in.]	135 ± 0.7 mm [5.31 ± 0.03 in.]	1 to 5 mm [0.04 to 0.19 in.]	3 mm [0.12 in.] max.

External dimensions with cable



mm
in.

20
0.79

[Privacy Policy](#) | [CA-125](#) | [Change your cookie settings](#)

Products

Service

Solution

Support

About Us

Email*

I am a*

Select a value

提交

I'd like to receive news and commercial info from Schneider Electric and its affiliates via electronic communication means such as email, and I agree to the collection of information on the opening and clicks on these emails (using invisible pixels in the images), to measure performance of our communications and improve them. For more details, please read our [Privacy Policy](#).

Copyright (C) 1996- 2025 Schneider Electric Japan Holdings Ltd. All Rights Reserved.

