



Image may differ from product. See technical specification for details.

64998

Radial shaft seal with double metal case, SKF Wave lip, for oil or grease

Radial shaft seals are used between rotating and stationary machine components, or between components in relative motion. CRWH1 seals are designed with a double metal case, an SKF WAVE lip made of elastomer with a higher pumping rate to reduce heat generation, and a garter spring to optimize sealing against the shaft. Most of the seals feature the SKF Bore Tite coating on the outside diameter that helps fill small imperfections in the housing bore.

- For oil or grease
- With garter spring
- WAVE lip creates higher pumping rate
- WAVE lip has less friction between shaft and lip
- WAVE lip has a lower temperature at the contact point

Overview

Dimensions

Shaft diameter	6.5 in
Housing bore diameter	7.5 in
Seal width	0.5 in

Performance

Limiting speed	4 440 r/min
Maximum operating temperature	392 °F
Minimum operating temperature	-13 °F
Permissible circumferential speed	7 596 ft/min
Rotational speed	4 440 r/min

Properties

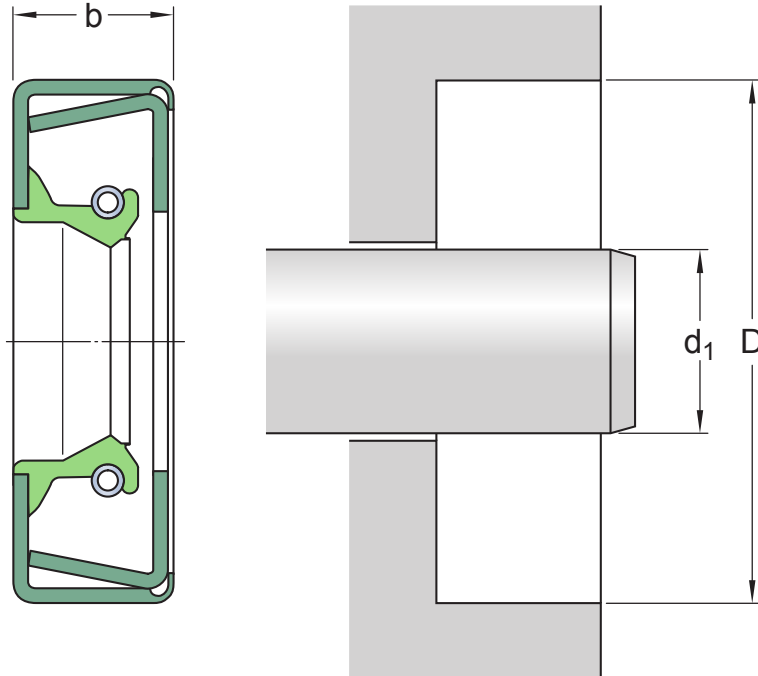
Design	CRWH1
Auxiliary lip	No
Sealing lip material	Fluoro rubber (FKM)
Type of outside diameter	Metal-cased with sealant coating on the outside diameter
Unit system	Inch

Logistics

Product net weight	0.48 lb
eClass code	23-07-08-01
UNSPSC code	31181602

Technical specification

Type of outside diameter	Metal-cased with sealant coating on the outside diameter
Lip material	Fluoro rubber (FKM)
Seal design	CRWH1



Dimensions

d_1	6.5 in	Shaft diameter
D	7.5 in	Housing bore diameter
b	0.5 in	Seal width

Application and operating conditions

Operating temperature	min. -13 °F
Operating temperature	max. 392 °F
Circumferential speed	max. 7 596 ft/min
Rotational speed	max. 4 440 r/min
Pressure differential	10.2 psi

Associated products

SKF Speedi-Sleeve	99650
-------------------	-------

Compatible products

Recommended product

SKF Speedi-Sleeve

[99650](#)



Terms of use