

Product data sheet

Specifications



Analog output module, Modicon M238 logic controller, 2 outputs voltage, 1 removable screw terminal block

TM2AVO2HT

⚠ Discontinued - Service only

⚠ Discontinued on: Dec 1, 2020

⚠ End-of-service on: Jun 30, 2024

Main

Range of Product	Modicon M238 logic controller
Product or Component Type	Analog output module
Analogue output number	2
Analogue output type	Voltage +/- 10 V

Complementary

Range Compatibility	Advantys OTB Twido
Analogue output resolution	11 bits + sign
LSB value	+/- 9.8 mV voltage
load type	Resistive
Load impedance ohmic	<= 3000 Ohm voltage
Stabilisation time	2 ms
Conversion time	2 ms + 1 controller cycle time
Measurement error	+/- 0.5 % of full scale 25 °C
Temperature coefficient	+/-0.01 %FS/°C
Repeat accuracy	+/-0.1 %FS
Non-linearity	+/- 0.2 %FS
Output ripple	<= 1 LSB
Total error	+/-1 %FS
Type of Cable	Twisted shielded cable
Insulation between channel and internal logic	Photocoupler
Supply	External supply
[Us] rated supply voltage	24 V DC
Supply voltage limits	19.2...30 V
Electrical connection	1 removable screw terminal block
Current consumption	60 mA 5 V DC internal 60 mA 24 V DC external
Net Weight	0.187 lb(US) (0.085 kg)

Price is "List Price" and may be subject to a trade discount – check with your local distributor or retailer for actual price.

Environment

Dielectric strength	2500 V between the I/O and internal logic
Width	0.9 in (23.5 mm)
Depth	2.8 in (70 mm)
Height	3.5 in (90 mm)

Ordering and shipping details

Category	22531-PLCS, TWIDO, TWD
Discount Schedule	PC12
GTIN	3595863996364
Returnability	No
Country of origin	FR

Packing Units

Unit Type of Package 1	PCE
Nbr. of units in pkg.	1
Package 1 Height	3.0 in (7.5 cm)
Package 1 Width	4.1 in (10.5 cm)
Package 1 Length	4.9 in (12.5 cm)
Package weight(Lbs)	5.1 oz (145.0 g)
Unit Type of Package 2	S03
Number of Units in Package 2	18
Package 2 Height	11.8 in (30.0 cm)
Package 2 Width	11.8 in (30.0 cm)
Package 2 Length	15.7 in (40.0 cm)
Package 2 Weight	6.889 lb(US) (3.125 kg)

Contractual warranty

Warranty (in months)	18
----------------------	----



Environmental Data

Schneider Electric aims to achieve Net Zero status by 2050 through supply chain partnerships, lower impact materials, and circularity via our ongoing “Use Better, Use Longer, Use Again” campaign to extend product lifetimes and recyclability.

[Environmental Data explained >](#)

[How we assess product sustainability >](#)

Use Better



Materials and Substances

EU RoHS Directive	Pro-active compliance (Product out of EU RoHS legal scope)
REACH Regulation	REACH Declaration
California proposition 65	WARNING: This product can expose you to chemicals including: Lead and lead compounds, which is known to the State of California to cause cancer and birth defects or other reproductive harm. For more information go to www.P65Warnings.ca.gov
PVC free	Yes

Use Longer




Lifetime extension

Repair	No
--------	----

Use Again



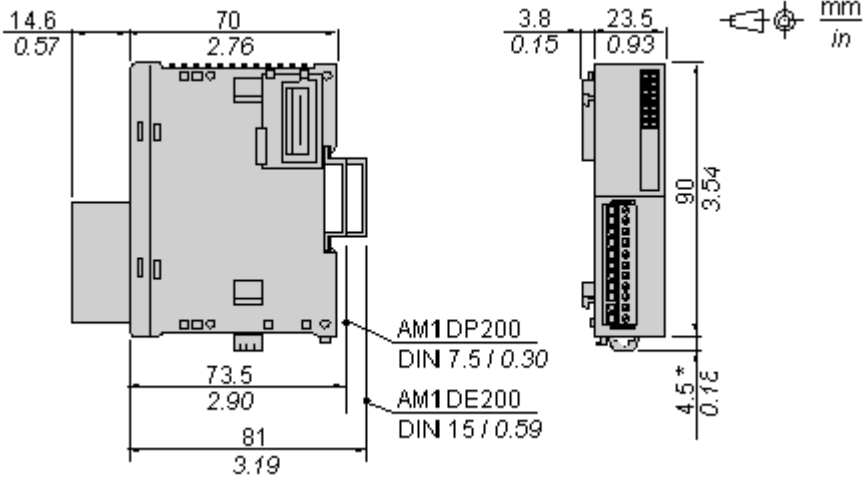
Repack and remanufacture

Circularity Profile	End of Life Information
WEEE Label	 The product must be disposed on European Union markets following specific waste collection and never end up in rubbish bins.

Dimensions Drawings

Analog Output Module (2-channel, Voltage)

Dimensions

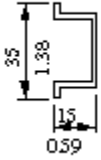


NOTE: * 8.5 mm (0.33 in) when the clip-on lock is pulled out.

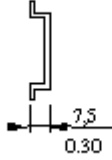
Mounting and Clearance

DIN Rail Mounting

AM1DE200
IEC/EN 60715



AM1DP200



AM1ED200



DZ5MB200

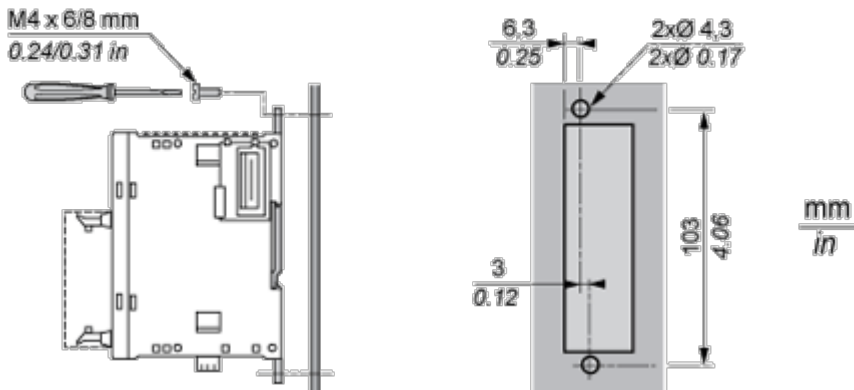


Rail depth	Catalogue part number
15 mm (0.59 in.)	AM1DE200
7,5 mm (0.30 in.)	AM1DP200

NOTE: Do not use AM1ED200 and DZ5MB200

Module Mounting on a Panel Surface

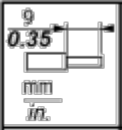

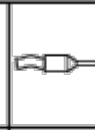
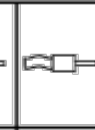
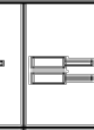



Mounting Hole Layout



Connections and Schema

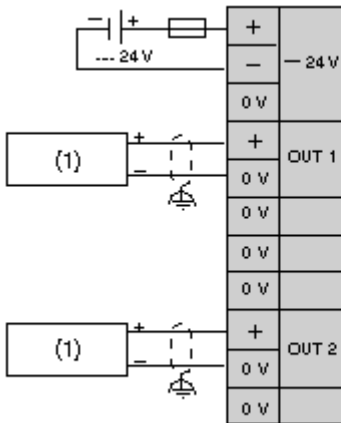
Wiring Requirements

Cable Types and Wire Sizes for Removable Screw Terminal Block

							
mm ²	0,14...1,5	0,25...0,5	0,25...1,5	0,14...0,5	0,14...0,75	0,25...0,34	0,5
AWG	26...16	24...20	24...16	26...20	26...18	24...22	20

Analog Output Module (2-channel, Voltage)

Wiring Diagram



(1) Voltage/current preactuator