

# Product data sheet

Specifications



## Discrete input module, Modicon M238 logic controller, 32 inputs 24VDC, 1 connector HE10

TM2DDI32DK

⚠ Discontinued on: Dec 1, 2020

⚠ End-of-service on: Jun 30, 2024

⚠ Discontinued - Service only

**Product availability: Non-Stock - Not normally stocked in distribution facility**

### Main

Range of Product	Modicon M238 logic controller
Product or Component Type	Discrete input module
Discrete input number	32
Discrete input voltage	24 V
Discrete input voltage type	DC

### Complementary

Range Compatibility	Twido Advantys OTB
Input voltage limits	20.4...28.8 V
Discrete input logic	Sink or source
Discrete input current	5 mA
Input impedance	4.4 kOhm
Number of common point	2
Response time	4 ms at state 0 4 ms at state 1
Isolation between channels	None
Isolation between channels and internal logic	500 V for 1 minute
Current consumption	65 mA 5 V DC at state 1 for all input
Local signalling	2 display blocks
Electrical connection	1 connector HE10
Mounting Support	35 mm symmetrical DIN rail
Net Weight	0.179 lb(US) (0.081 kg)

### Environment

Depth	3.2 in (81.3 mm)
Height	3.5 in (90 mm)
Width	1.2 in (29.7 mm)

### Ordering and shipping details

Price is "List Price" and may be subject to a trade discount – check with your local distributor or retailer for actual price.

<b>Category</b>	US1PC1222531
<b>Discount Schedule</b>	PC12
<b>GTIN</b>	3595863995749
<b>Returnability</b>	No

## Packing Units

<b>Unit Type of Package 1</b>	PCE
<b>Nbr. of units in pkg.</b>	1
<b>Package 1 Height</b>	2.973 in (7.552 cm)
<b>Package 1 Width</b>	4.160 in (10.567 cm)
<b>Package 1 Length</b>	5.067 in (12.869 cm)
<b>Package weight(Lbs)</b>	7.09 oz (201.0 g)

## Contractual warranty

<b>Warranty (in months)</b>	18
-----------------------------	----



## Environmental Data

Schneider Electric aims to achieve Net Zero status by 2050 through supply chain partnerships, lower impact materials, and circularity via our ongoing “Use Better, Use Longer, Use Again” campaign to extend product lifetimes and recyclability.

[Environmental Data explained >](#)

[How we assess product sustainability >](#)

### Use Better



#### Materials and Substances

[EU RoHS Directive](#)

Pro-active compliance (Product out of EU RoHS legal scope)

REACH Regulation

[REACH Declaration](#)

California proposition 65

**WARNING:** This product can expose you to chemicals including: Lead and lead compounds, which is known to the State of California to cause cancer and birth defects or other reproductive harm. For more information go to [www.P65Warnings.ca.gov](http://www.P65Warnings.ca.gov)

PVC free

Yes

### Use Longer



#### Lifetime extension

Repair

No

### Use Again



#### Repack and remanufacture

WEEE Label

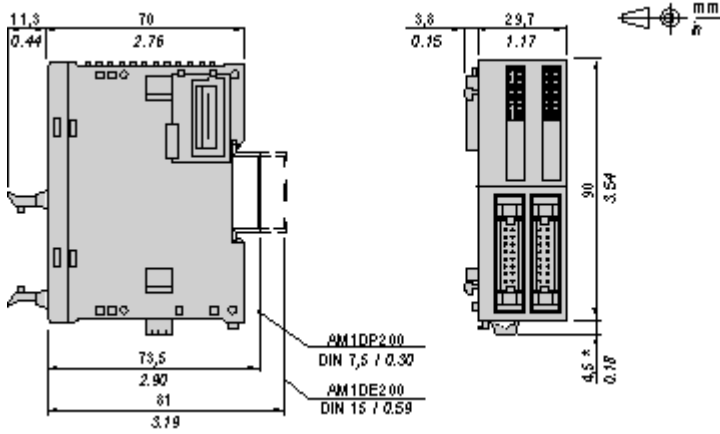


The product must be disposed on European Union markets following specific waste collection and never end up in rubbish bins.

Dimensions Drawings

Digital Input Module (32-channel, 24 Vdc)

Dimensions



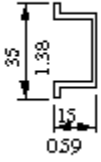
NOTE: \* 8.5 mm (0.33 in) when the clamp is pulled out.

Mounting and Clearance

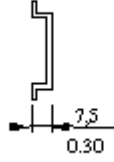
DIN Rail Mounting

---

AM1DE200  
IEC/EN 60715



AM1DP200



AM1ED200



DZ5MB200



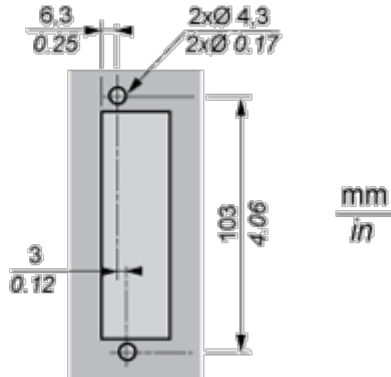
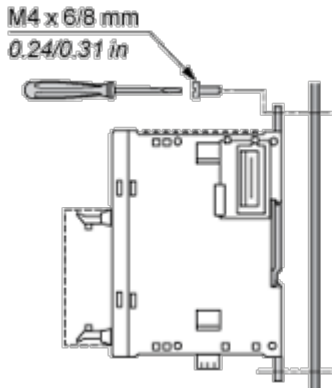
Rail depth	Catalogue part number
15 mm (0.59 in.)	AM1DE200
7,5 mm (0.30 in.)	AM1DP200

NOTE: Do not use AM1ED200 and DZ5MB200

Module Mounting on a Panel Surface

---

Mounting Hole Layout



Connections and Schema

Wiring Requirements

---

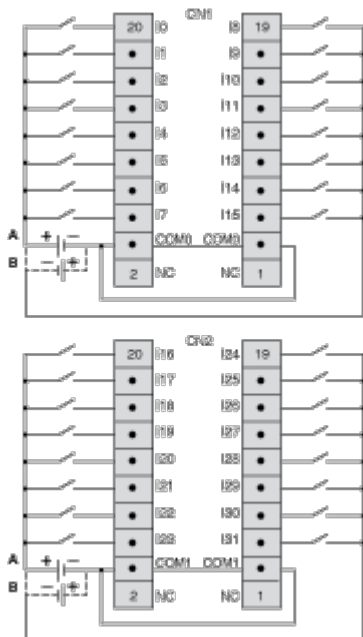
Cable Types and Wire Sizes for Removable Screw Terminal Block

mm <sup>2</sup>	0,14...1,5	0,25...0,5	0,25...1,5	0,14...0,5	0,14...0,75	0,25...0,34	0,5
AWG	26...16	24...20	24...16	26...20	26...18	24...22	20

Digital Input Module (32-channel, 24 Vdc)

---

Wiring Diagram



- A Sink wiring (positive logic)
- B Source wiring (negative logic)