



表 4								
序号	熔断体型号		额定		外形尺寸(mm)		重量	
	本公司	国内外同类产品	电压	电流	尺码	图号		
	普通(gG)	快速(aR)	普通(gG)	快速(aR)	(V)	(A)	(g)	
0401	NH00C	-	-	-	500/660	10-100	000 详见图 4.1	138

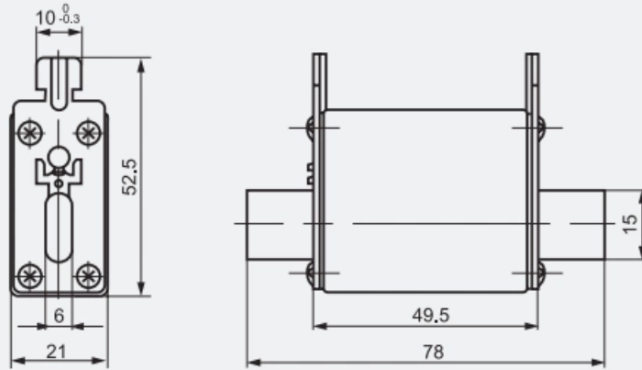


图 4.1

APEXON SOLUTIONS DISCLAIMER: The technical data provided herein is for informational purposes only. While Apexon Solutions LLC strives for accuracy, we assume no liability for errors, omissions, or the suitability of this component for specific applications. All specifications are subject to manufacturer revisions. Procurement teams must verify all critical parameters with the manufacturer's official datasheet prior to integration.